

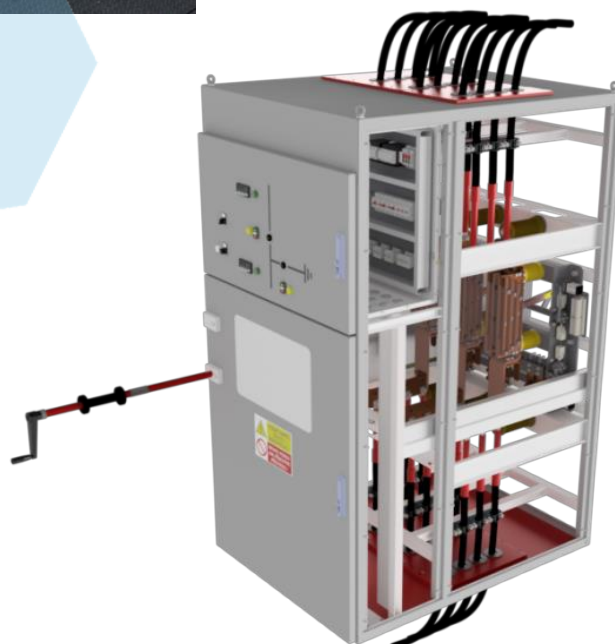


IVEP, a.s.
Václavská 117a, 619 00 Brno
CZECH REPUBLIC
ivep@ivep.cz, www.ivep.cz



ČSN EN ISO 9001:2016, ČSN EN ISO 14001:2016
ČSN OHSAS 18001:2008

Date:	07/2016
Country:	Czech Republic
Subject:	Indoor switchgear with disconnecter and earthing switch
Specification:	7,2 kV; 3150A; 63kA /3s



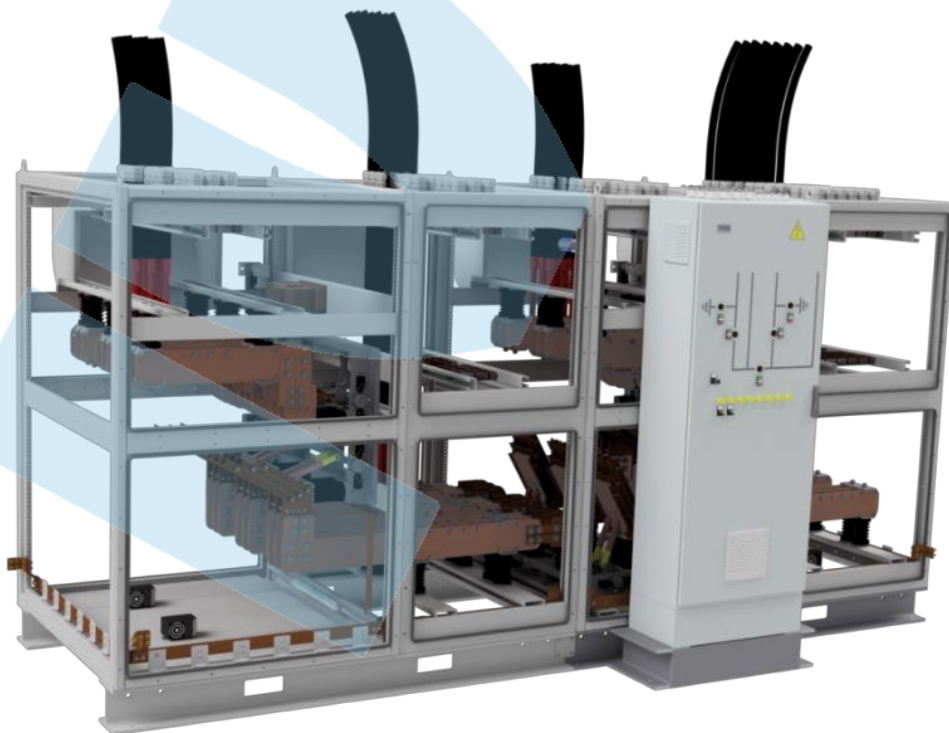


IVEP, a.s.
Václavská 117a, 619 00 Brno
CZECH REPUBLIC
ivep@ivep.cz, www.ivep.cz



ČSN EN ISO 9001:2016, ČSN EN ISO 14001:2016
ČSN OHSAS 18001:2008

Date:	06/2017
Country:	Czech Republic
Subject:	Generator indoor switchgear GSI-DS
Specification:	17,5 kV; 6300 A; 72kA /3s



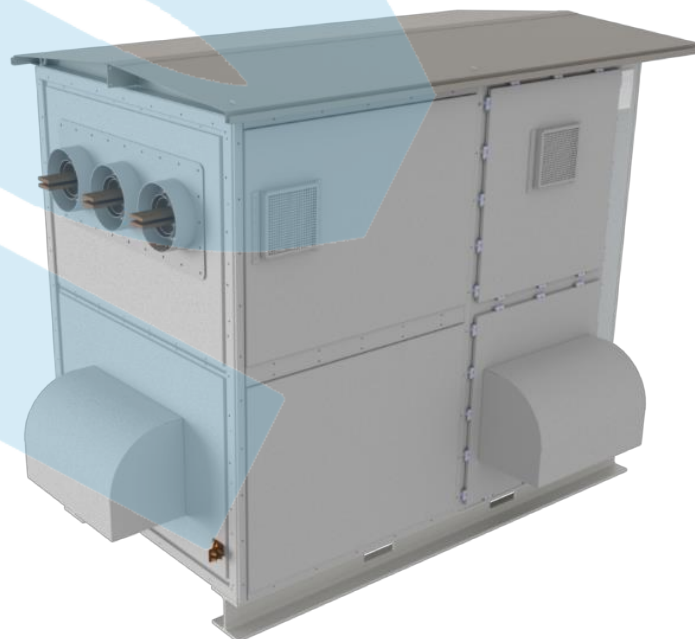


IVEP, a.s.
Václavská 117a, 619 00 Brno
CZECH REPUBLIC
ivep@ivep.cz, www.ivep.cz

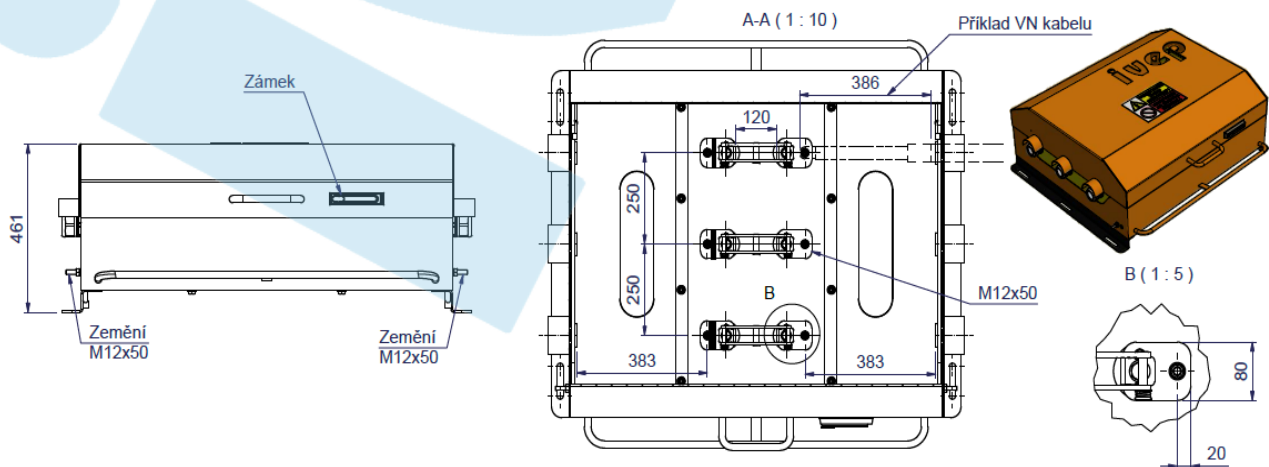
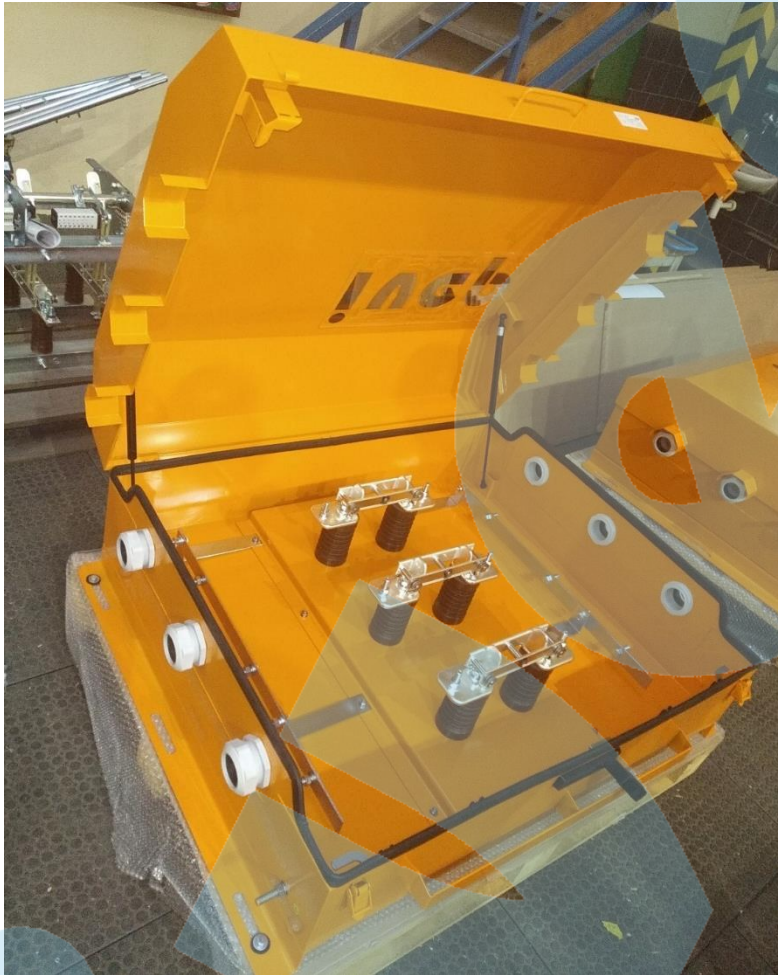


ČSN EN ISO 9001:2016, ČSN EN ISO 14001:2016
ČSN OHSAS 18001:2008

Date:	12/2017
Country:	Czech Republic
Subject:	Outdoor air insulated generator switchgear with LBS type GSO-LB
Specification:	12 kV; 3150 A; 63kA /1s



Date:	08/2018
Country:	Czech Republic
Subject:	Outdoor connection cabinet type CCO
Specification:	7,2 kV; 630 A; 25kA /1s



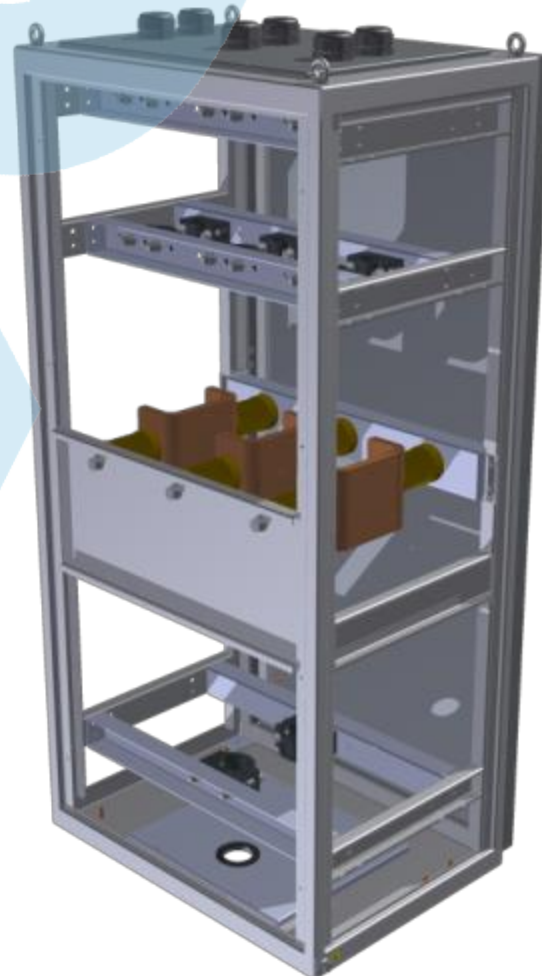


IVEP, a.s.
Václavská 117a, 619 00 Brno
CZECH REPUBLIC
ivep@ivep.cz, www.ivep.cz



ČSN EN ISO 9001:2016, ČSN EN ISO 14001:2016
ČSN OHSAS 18001:2008

Date:	05/2018
Country:	Czech Republic
Subject:	PPE connection cabinet
Specification:	7,2 kV; 1250 A; 31,5 kA /1s



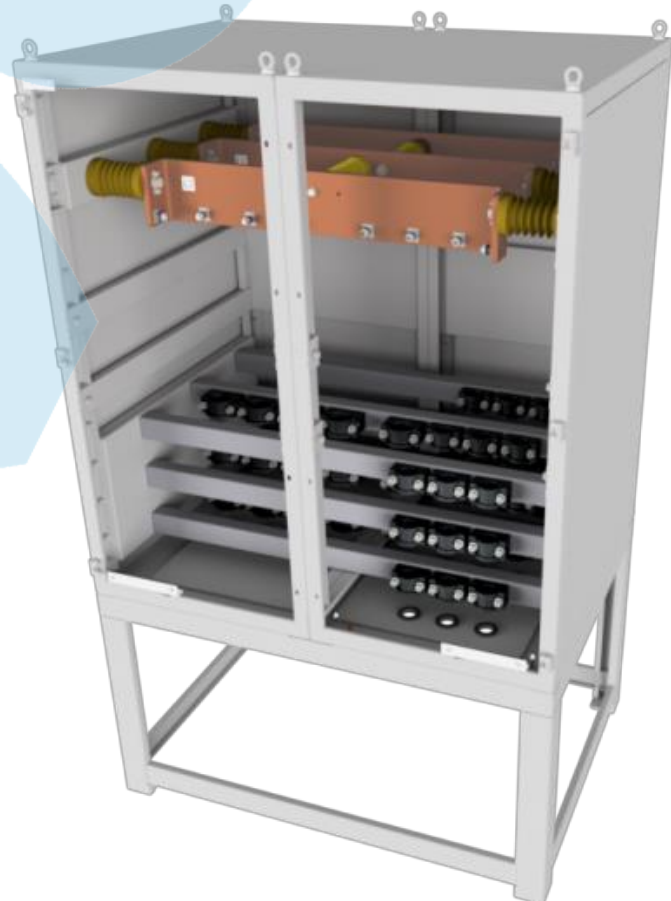


IVEP, a.s.
Víteňská 117a, 619 00 Brno
CZECH REPUBLIC
ivep@ivep.cz, www.ivep.cz



ČSN EN ISO 9001:2016, ČSN EN ISO 14001:2016
ČSN OHSAS 18001:2008

Date:	04/2018
Country:	Czech Republic
Subject:	Transient switchgears
Specification:	12 kV; 1250 A; 31,5 kA /1s





IVEP, a.s.
Víteňská 117a, 619 00 Brno
CZECH REPUBLIC
ivep@ivep.cz, www.ivep.cz



ČSN EN ISO 9001:2016, ČSN EN ISO 14001:2016
ČSN OHSAS 18001:2008

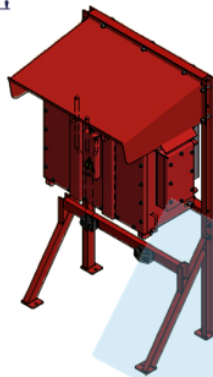
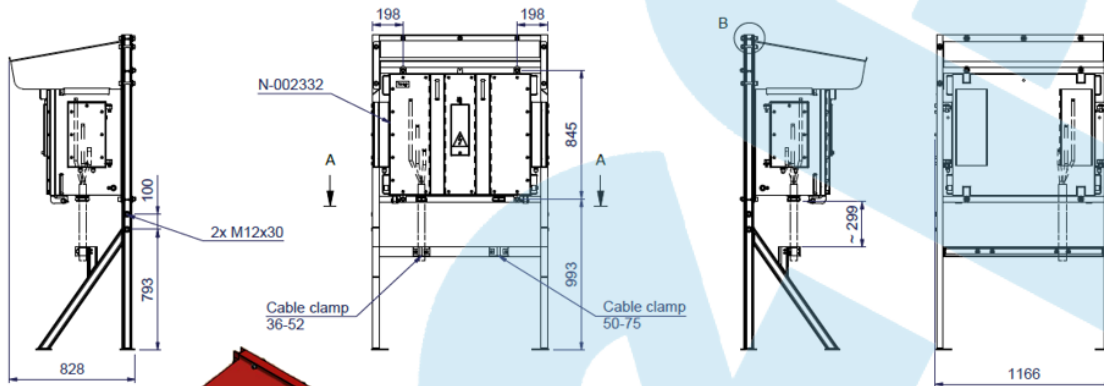
Date:	11/2018
Country:	Czech Republic
Subject:	MV switchgear indoor type MSVI
Specification:	7,2 kV; 200 A; 20 kA /1s



Date:	12/2018
Country:	Russia
Subject:	MV switchgear with change-over switch, MSVI-CH
Specification:	12 kV; 1 600 A; 40 kA /1s



Date:	10/2019
Country:	Russia
Subject:	MV outdoor cable connection cabinet 12kV, Patch Panel, Optic ST
Specification:	12 kV; 200 A; 10 kA /1s





IVEP, a.s.
Václavská 117a, 619 00 Brno
CZECH REPUBLIC
ivep@ivep.cz, www.ivep.cz



ČSN EN ISO 9001:2016, ČSN EN ISO 14001:2016
ČSN OHSAS 18001:2008

Date:	02/2019
Country:	Turkey
Subject:	MTB + N - Separate terminal boxes of HV generator 100,96 MVA
Specification:	12 kV; 6 300 A; 63 kA /1s



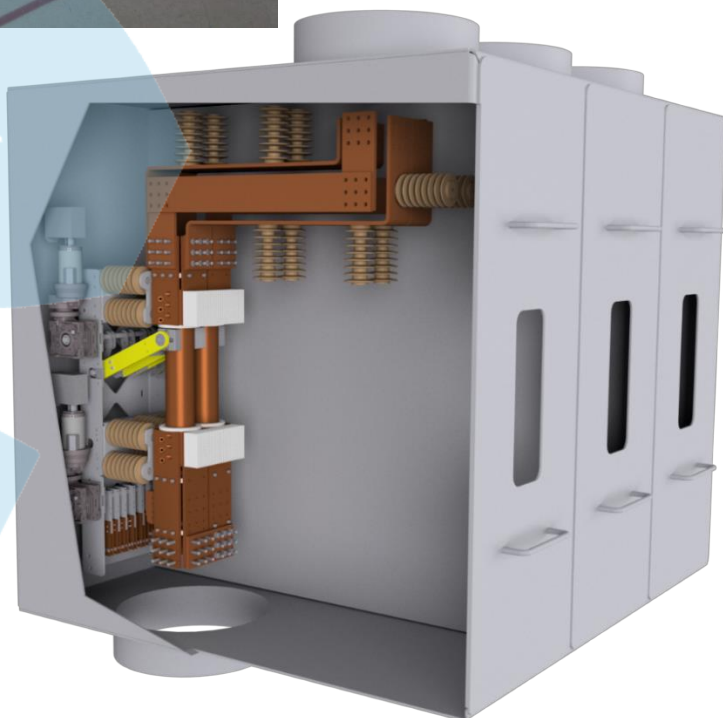


IVEP, a.s.
Víteňská 117a, 619 00 Brno
CZECH REPUBLIC
ivep@ivep.cz, www.ivep.cz



ČSN EN ISO 9001:2016, ČSN EN ISO 14001:2016
ČSN OHSAS 18001:2008

Date:	04/2019
Country:	Vientam
Subject:	MV Generator Indoor Switchgear type GSI
Specification:	25 kV; 14 000 A; 200 kA /1s





IVEP, a.s.
Víteňská 117a, 619 00 Brno
CZECH REPUBLIC
ivep@ivep.cz, www.ivep.cz



ČSN EN ISO 9001:2016, ČSN EN ISO 14001:2016
ČSN OHSAS 18001:2008

Date:	10/2019
Country:	Luxembourg
Subject:	N - Starpoint generator cabinet 15,75kV
Specification:	15,75 kV; 6 700 A; 80 kA /1s





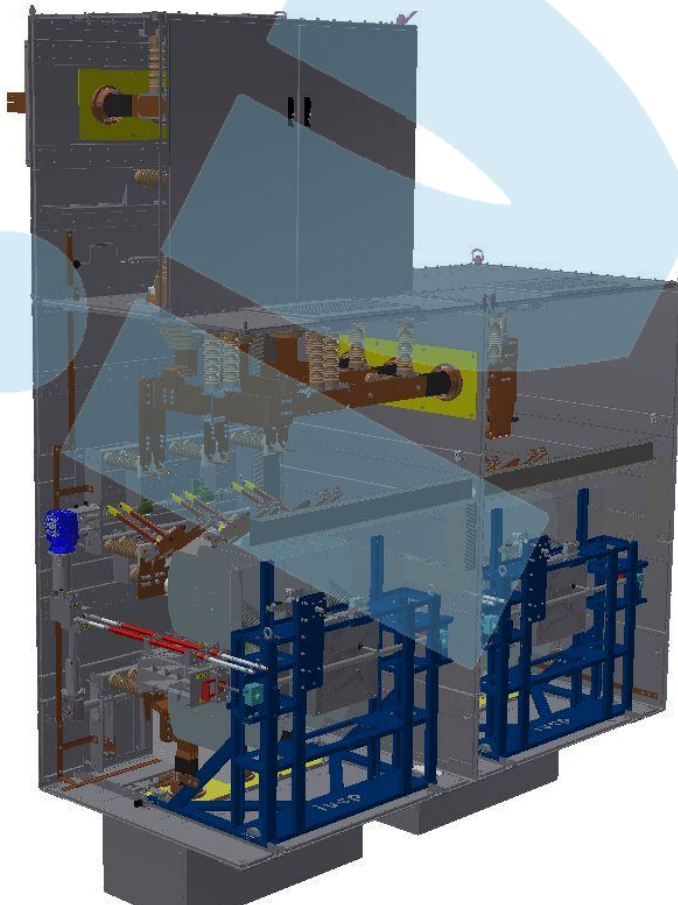
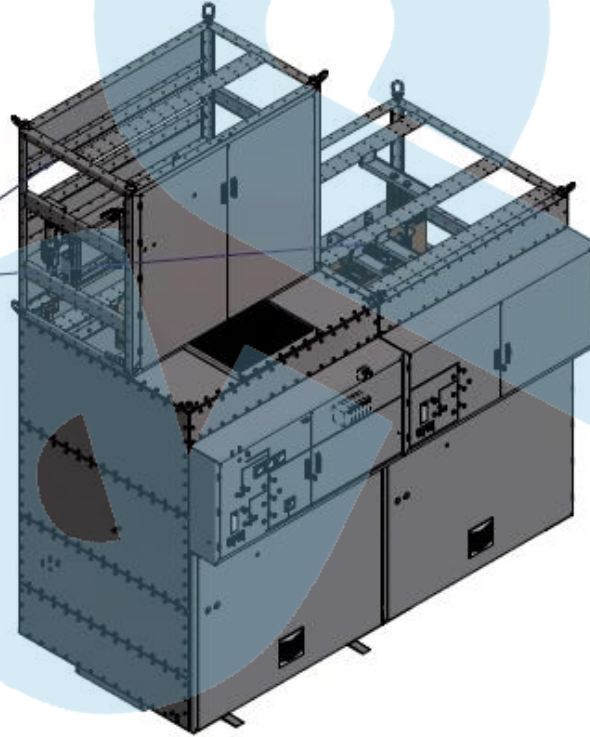
IVEP, a.s.
Václavská 117a, 619 00 Brno
CZECH REPUBLIC
ivep@ivep.cz, www.ivep.cz



ČSN EN ISO 9001:2016, ČSN EN ISO 14001:2016
ČSN OHSAS 18001:2008

Date:	12/2020
Country:	Poland
Subject:	Switchgear type MVSI-CB
Specification:	36 kV 4 000 A

Pokrycie zostanie uzupełnione
/ Covering will be added





IVEP, a.s.
Václavská 117a, 619 00 Brno
CZECH REPUBLIC
ivep@ivep.cz, www.ivep.cz



ČSN EN ISO 9001:2016, ČSN EN ISO 14001:2016
ČSN OHSAS 18001:2008

Date:	2/2021
Country:	Belarus
Subject:	Outdoor connection cabinet type CCO
Specification:	7,2 kV 250 A

