



DATASHEET

D0074.DS.01

INDOOR HEAVY DUTY
DISCONNECTOR

TYPE **QAK HD**

ISO 9001:2009
ISO 14001:2005
OHSAS 18001:2008



GENERAL INFORMATIONS

The QAK HD disconnectors are switching devices used to switch electrical circuits in no-load operating state. They find usage in switchgear cabinets and MV switching stations of indoor type. Heavy duty design for withstand of rated current.

Advantages of IVEP instruments:

- vertical/horizontal mounting (or other types on request)
- completely adjusted devices
- rugged structure
- contact system with reduced voltage drop
- environment friendly instruments
- silver-coated current-carrying path
- current-carrying path made from highconductivity copper (99.9% of Cu)
- highly reliable remote indication of the switching state (ON and OFF) of the switching device

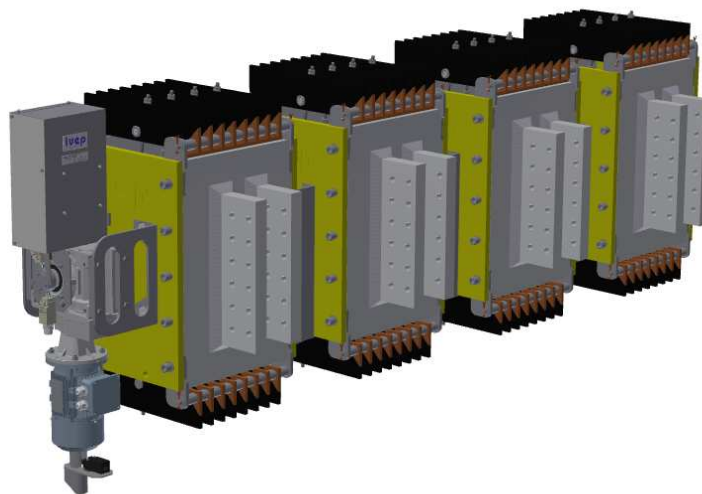
TECHNICAL DATA

ČSN EN 50 123-1
idt IEC 50 123-1

$U_n = 1,5 \text{ kV}$
 $U_{Ne} = 1,8 \text{ kV}$
 $U_{Nm} = 2,3 \text{ kV}$
Class OV3

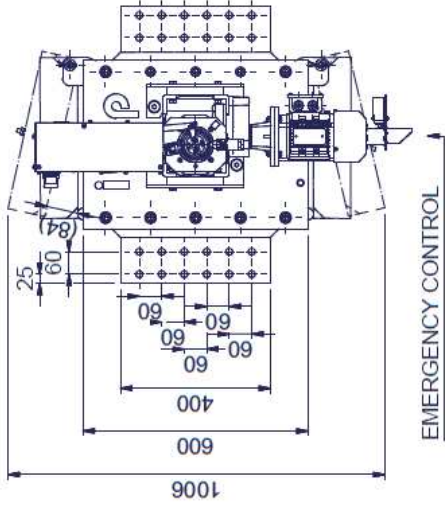
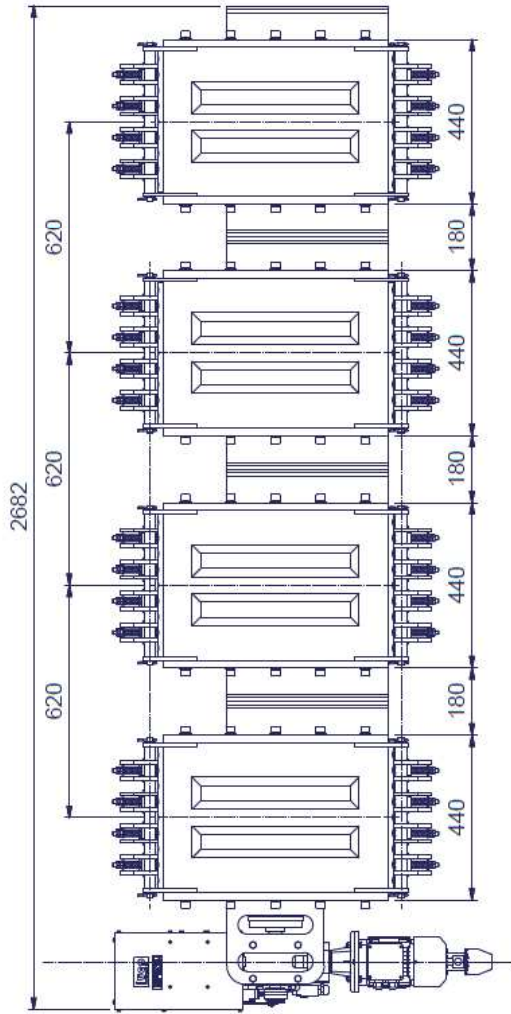
$I_r = 65 \text{ 000A}$
 $I_k = 100\text{kA}$
 $t_k = 1\text{s}$
 $I_p = 250\text{kA}$
Insulators: epoxi resin
Motor 3PEN 400V AC 50Hz or DC motors 110V, 220V
Auxiliary contacts 7C-7O-2P

Weight approx. 1100kg
Upon request SIL certification for secondary circuits

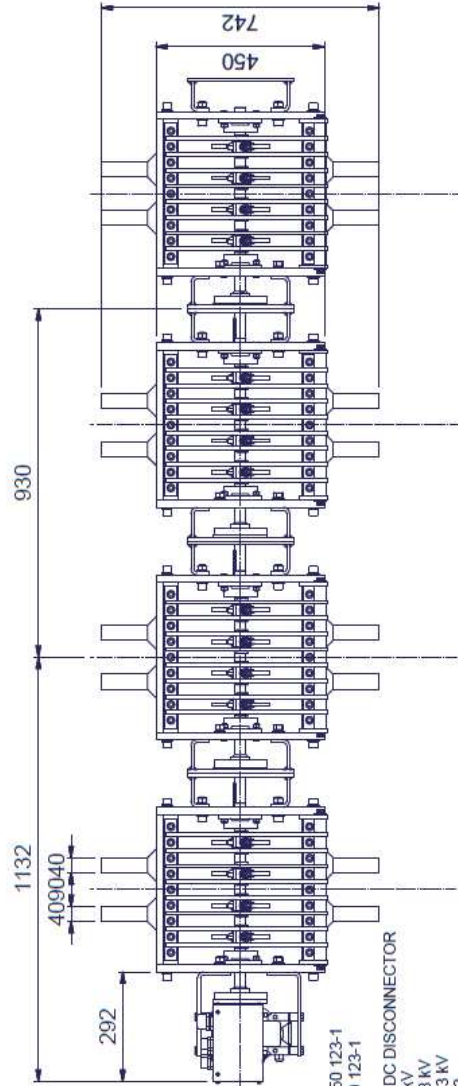


This technical document is a part of IVEP, a.s. know-how and cannot be copied, duplicated nor be passed to any third party without explicit approval of IVEP, a.s. Vidětská 117a, 619 00 Brno, Česká republika

Tento technický podklad je součástí IVEP, a.s. vědecká tajemství a bez našeho souhlasu se nesmí kopírovat, rozmnožovat a poskytovat třetímu osobám. IVEP, a.s. Vidětská 117a, 619 00 Brno, Česká republika



EMERGENCY CONTROL

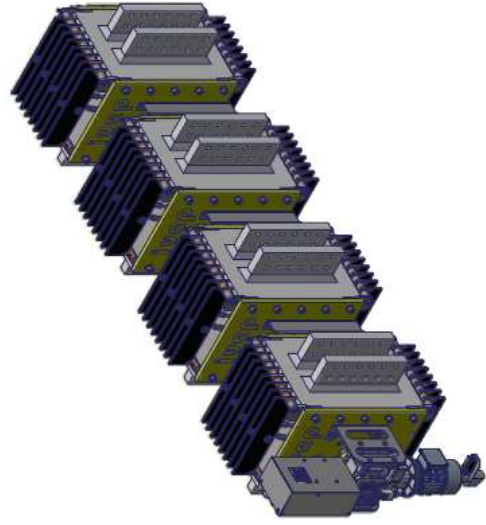


ČSN EN 50 123-1
idt IEC 50 123-1
INDOOR DC DISCONNECTOR
Un = 1,5 kV
UNe = 1,8 kV
UNim = 2,3 kV
Class 0V3

Ir = 65000A
Ik = 100kA
Ik = 1s
Ip = 250kA

Insulators: epoxy resin
Motor: 3PEN 400V/AC 50HZ
Auxiliary contacts 7C-70-2P

Weight approx. 1100kg

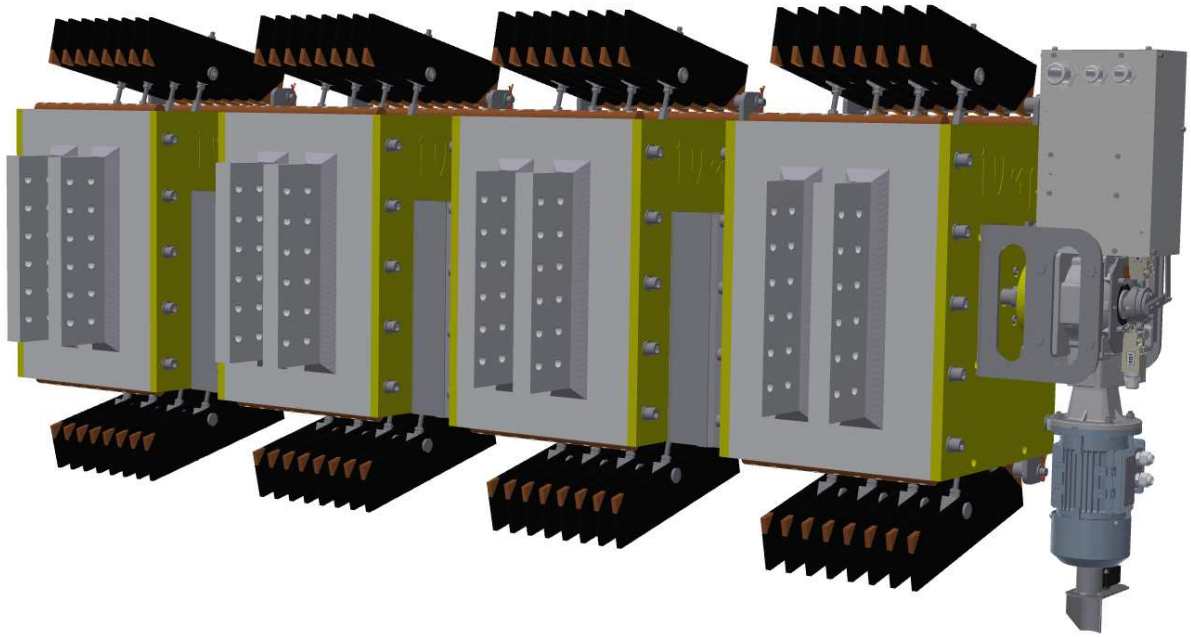


Metalscale Factor
Kreslí/ Author
Tůma
Schválí/ Approved by
Tůma

Nežádavé Vítěz / Supply Drawing
C-000682
Datum / Date
4.4.2016

Název / Name
QAK HD 1.65000.100/1L.1.7.FP.Cus.Cus.01(620)
Číslo výkresu / Drawing No.
N-000453

Látka/see



Manufactured and supplied by:

IVEP, a.s.
Víteňská 117a, 619 00 Brno, Czech Republic

Tel.: +420 547136 654 e-mail: marketing@ivep.cz
Fax: +420 547136 402 [http:// www.ivep.cz](http://www.ivep.cz)

